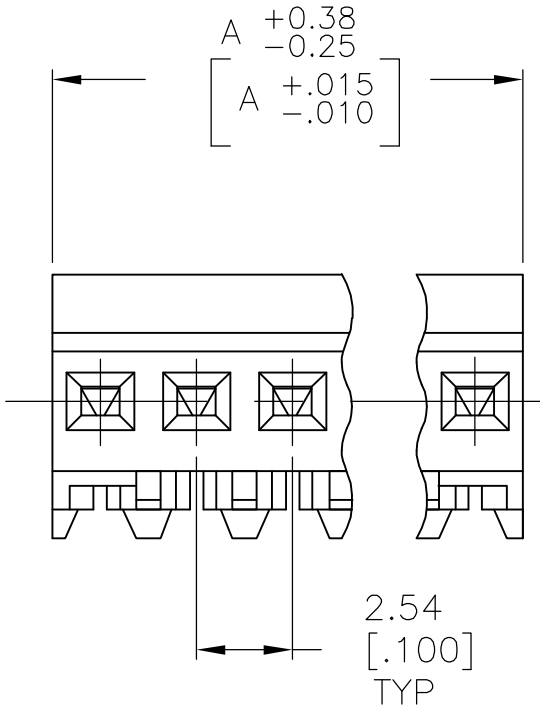
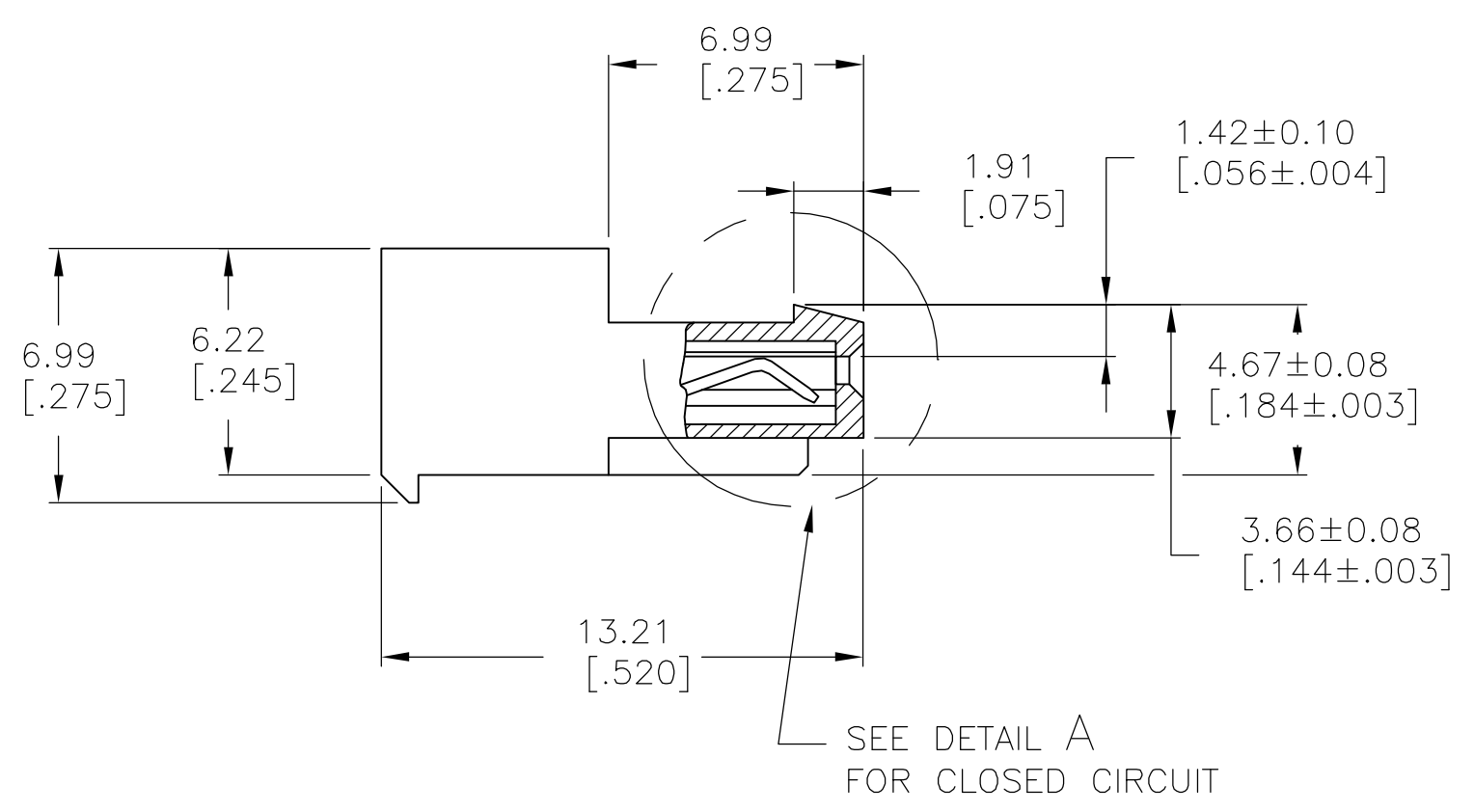
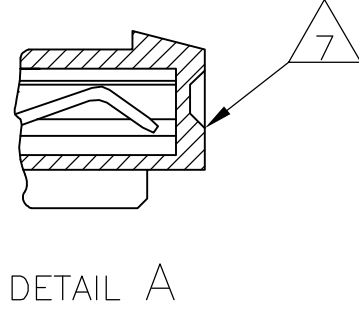
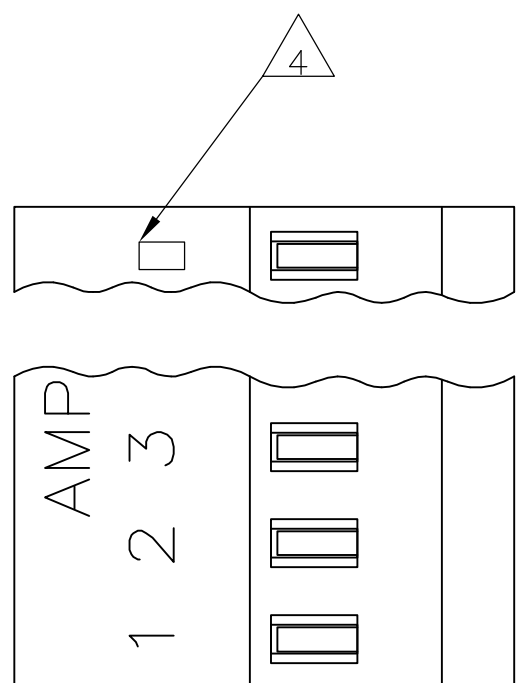


THIS DRAWING IS UNPUBLISHED. RELEASED FOR PUBLICATION  
 © COPYRIGHT BY TYCO ELECTRONICS CORPORATION. ALL RIGHTS RESERVED.

LOC	DIST	REVISIONS					
CM	00	P	LTR	DESCRIPTION	DATE	DWN	APVD
		K		REVISED PER ECO-07-003755	28FEB07	KW	DB



- 1 MATERIAL: CONNECTOR - NYLON UL94V-2 (WHITE).  
CONTACTS - 0.30[.012] THICK COPPER ALLOY  
MATE WHISKER MITIGATED TIN  
0.00203[.000080] MIN THICKNESS  
OVER NICKEL UNDERPLATE OR BRIGHT  
TIN-LEAD 93/7 0.00203[.000080] MIN  
THICKNESS. SEE FINISH COLUMN FOR  
PLATING TYPE.
- 2. CONTACTS ACCEPT 24 AWG WIRE WITH 1.52[.060] MAX  
INSULATION DIAMETER.
- 3. CONTACTS MUST ACCEPT 0.64±.03[.025±.001] SQUARE  
POST AND REMAIN LOCKED IN POSITION.
- 4 IDENTIFICATION NUMBER FOR LAST CIRCUIT MAY  
NOT APPEAR ON ALL ASSEMBLIES.
- 5. DIMENSIONS IN BRACKETS ARE IN INCHES.
- 6. HOUSING FEATURES ARE: CLOSED END WITH LOCKING  
RAMP.
- 7 DETAIL A SHOWS CIRCUIT NO.6 MOLDED CLOSED.

FINISH	DIM A	NO OF CIRCUITS	PART NO
TIN	22.86 [.900]	9	3-644031-9
TIN-LEAD	22.86 [.900]	9	644031-9

**METRIC**

THIS DRAWING IS A CONTROLLED DOCUMENT.

DIMENSIONS: mm [INCHES]	TOLERANCES UNLESS OTHERWISE SPECIFIED:	DWN B. LEWIS 22 APR 91	Tyco Electronics Corporation Harrisburg, Pa 17105-3608
	0 PLC ± -	CHK R. SWING 22 APR 91	
	1 PLC ± -	APVD G. MILLER 22 APR 91	
	2 PLC ± -	PRODUCT SPEC 108-1050	
	3 PLC ± -	APPLICATION SPEC 114-1019	NAME MTA-100 CONNECTOR ASSEMBLY, 24 AWG, NO.6 CIRCUIT CLOSED, SPECIAL
	4 PLC ± -	WEIGHT -	SIZE A2
MATERIAL 1	FINISH 1	CUSTOMER DRAWING	CAGE CODE 00779
			DRAWING NO C=644031
			RESTRICTED TO -
			SCALE 5:1
			SHEET 1 OF 1
			REV K